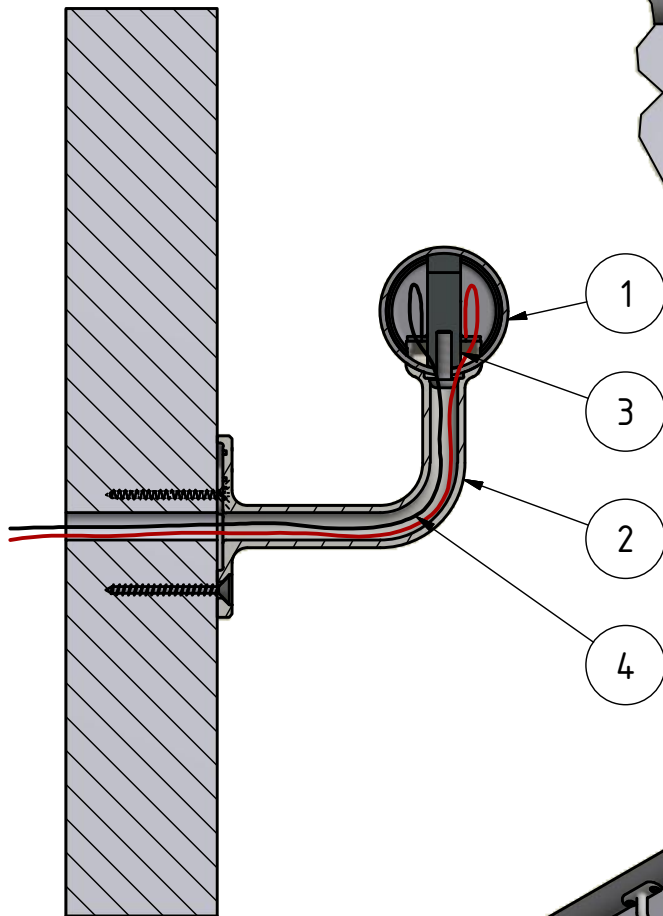
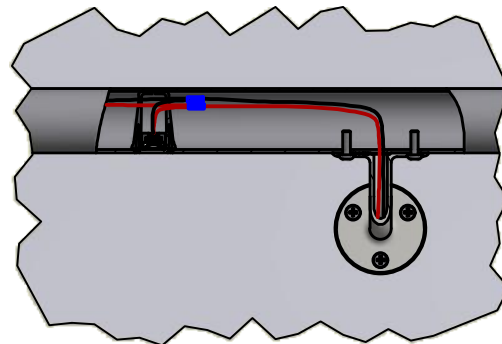
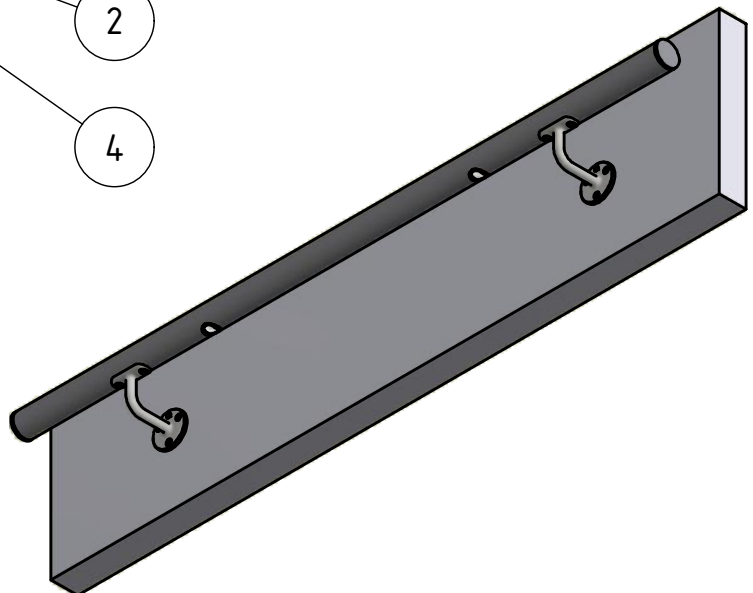


A ( 1 : 5 )



1. Handrail MOD 8925 / 0900  
( $\text{\O}42,4 \times 2\text{mm}$  /  $\text{\O}48,3 \times 2\text{mm}$ )
2. Handrail bracket MOD 0103
3. LED-Spotlight MOD 0051 / 0052
4. Cable MOD 0011 / 0012



**SYSTEM:** Q-LIGHTS  
**MODEL:** 0051/0052  
**DESCRIPTION:** LED-Spotlight

**DRAWN:** MPS  
**DATE:** 31.03.2016  
**DRAWING NO.:** 0051-001

This detail drawing is for reference purposes only. The installer must check the specifications and details with the local situation and regulations. For further advice and service please contact your nearest Q-railing office.

© Q-railing Europe GmbH & Co. KG

THE PREMIUM BRAND IN RAILING SYSTEMS | WWW.Q-RAILING.COM

**Q-railing**